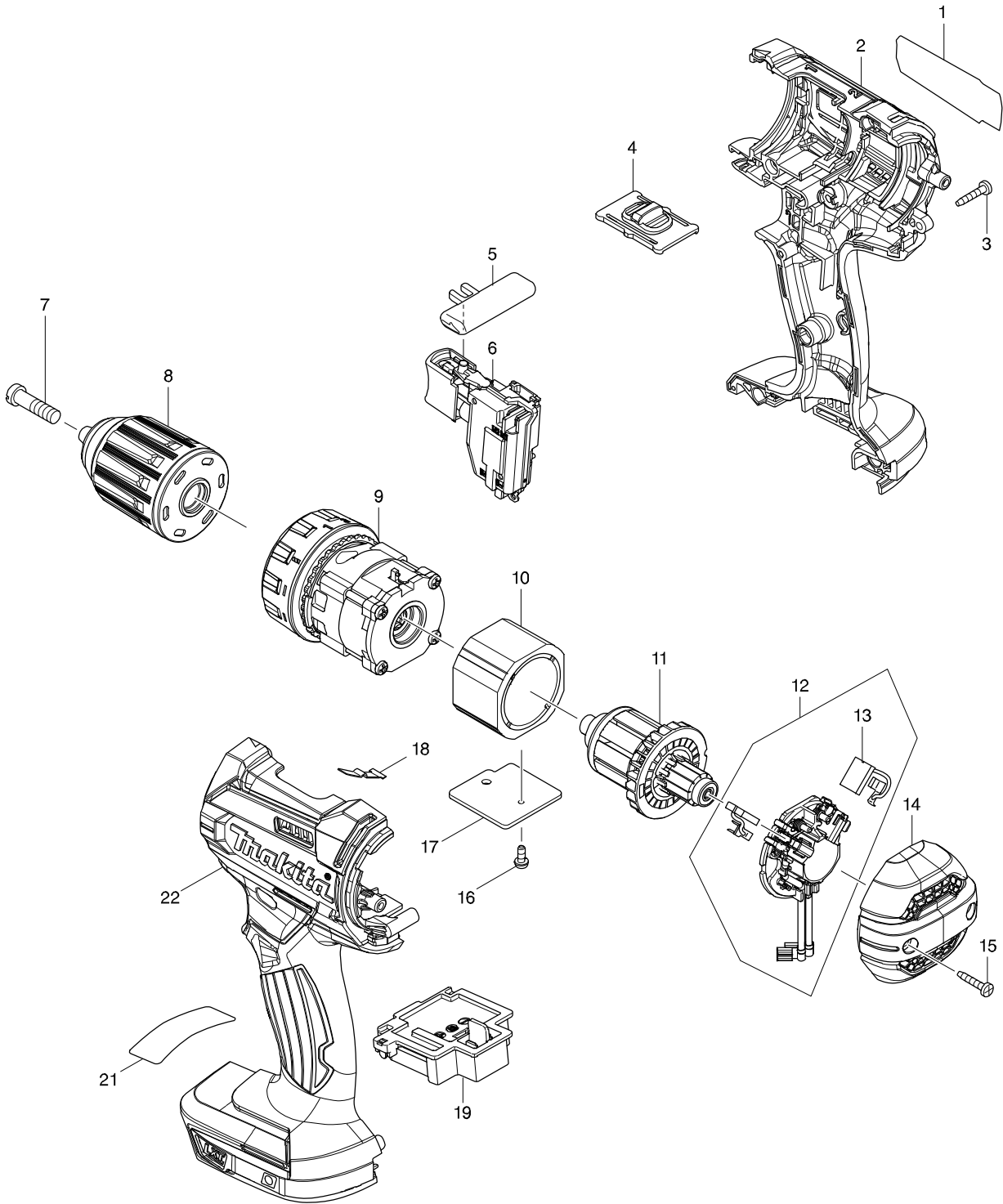


# Model No. DDF482 CORDLESS DRIVER DRILL



# Model No. DDF482 CORDLESS DRIVER DRILL

Item	Parts No.	Description	I/C	Qty	N/O	Opt. 1	Opt. 2	Note
001	851E35-2	DDF482 NAME PLATE		1				
002	183B65-0	HOUSING SET		1				
C10	263005-3	RUBBER PIN 6		2				
D10		INC. 22						
003	266429-2	TAPPING SCREW 3X16		9				
004	123442-2	SPEED CHANGE LEVER ASSEMBLY		1				
C10	233438-6	COMPRESSION SPRING 4		2				
005	419041-9	F/R CHANGE LEVER		1				
006	650753-7	SWITCH C3HA-Z1A-TLF1MS		1				
C10	620444-4	LED CIRCUIT		1				
007	251468-5	- FLAT HEAD SCREW M6X22		1				
008	766027-7	KEYLESS DRILL CHUCK 13		1				
009	123444-8	GEAR ASSEMBLY		1				
010	632F32-1	YOKE UNIT		1	*			
010-1	632J70-7	YOKE UNIT	<	1				
011	619380-9	ARMATURE		1				
012	632F22-4	BRUSH HOLDER COMPLETE		1				
D10		INC. 13						
013	194427-5	CARBON BRUSH CB-440		1				
014	456099-7	REAR COVER		1				
015	266429-2	TAPPING SCREW 3X16		2				
016	911006-2	PAN HEAD SCREW M3X8		1	*			
016-1	652066-2	+PAN HEAD SCREW M3X9 WITH W	<	1				
017	689070-8	HEAT SINK		1				
018	232182-2	LEAF SPRING		1				
019	644808-8	TERMINAL		1				
022	183B65-0	HOUSING SET		1				
C10	263005-3	RUBBER PIN 6		2				
D10		INC. 2						
A01	251314-2	+ SCREW M4X12		1				
A02	346317-0	HOOK		1				
A03	784637-8	+/- BIT 2-45		1				
A04A	141856-3	PLASTIC CARRYING CASE COMPLET		1				
C10	162302-3	LATCH		2				
C20	324207-7	SHAFT		1				
C30	451749-9	HANDLE		1				
A04C	141856-3	PLASTIC CARRYING CASE COMPLET		1				
C10	162302-3	LATCH		2				
C20	324207-7	SHAFT		1				
C30	451749-9	HANDLE		1				
A04D	141856-3	PLASTIC CARRYING CASE COMPLET		1				
C10	162302-3	LATCH		2				
C20	324207-7	SHAFT		1				
C30	451749-9	HANDLE		1				
A05A	450128-8	BATTERY COVER		1				
A05C	450128-8	BATTERY COVER		1				
A05D	450128-8	BATTERY COVER		1				
A06A	***DC18RC	DC18RC FAST CHARGER		1				

